

Electrodes

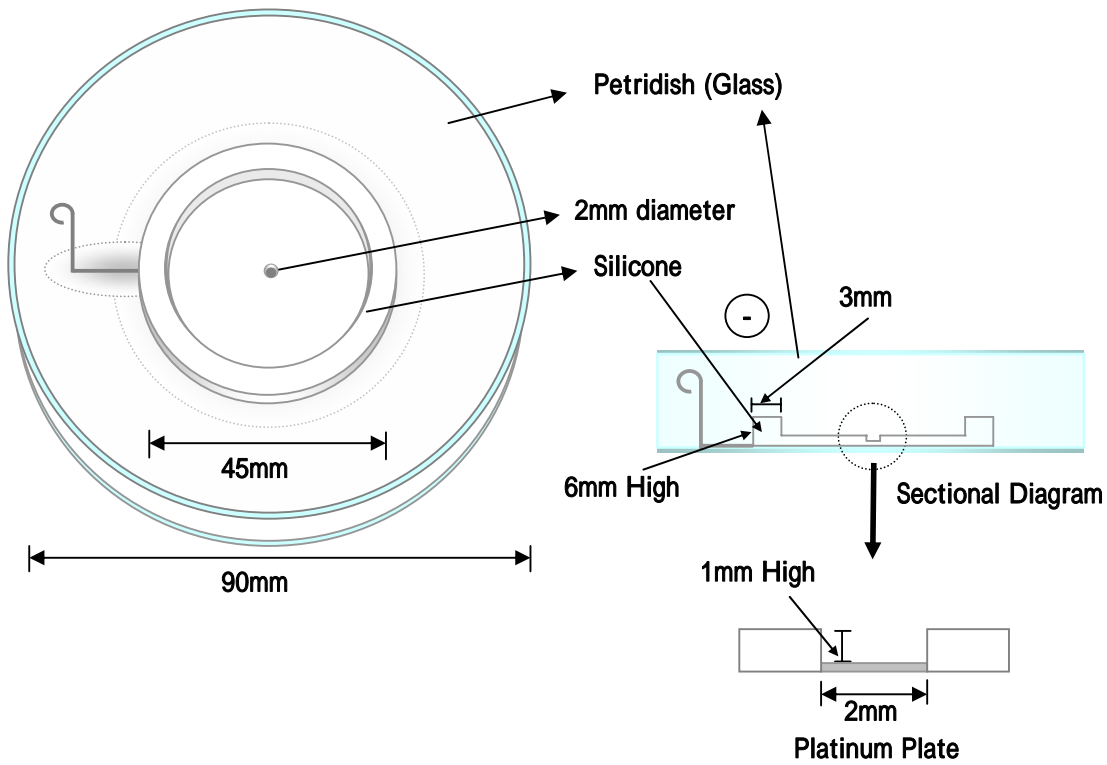
CUY700P2E

Petridish Round Platinum Plate Electrode with Embankment Well,
2mm diameter

1mm High

Connected with CUY700P2L

For Chick Embryo and Mammalian Tissue



C U Y 700 P 2 L

Cover Round Platinum Plate Electrode, 2mm diameter

Connected with CUY700P2E

For Chick Embryo and Mammalian Tissue

