

Electrodes

CUY520P5, P15 (Former CUY522, CUY523)

Petridish Parallel Platinum Plate Electrode

CUY520P5: L8 x W5 x H3 mm, 5mm gap (Fukuda Type)

CUY520P15: L10 x W15 x H5 mm, 15mm gap (Osumi Type)

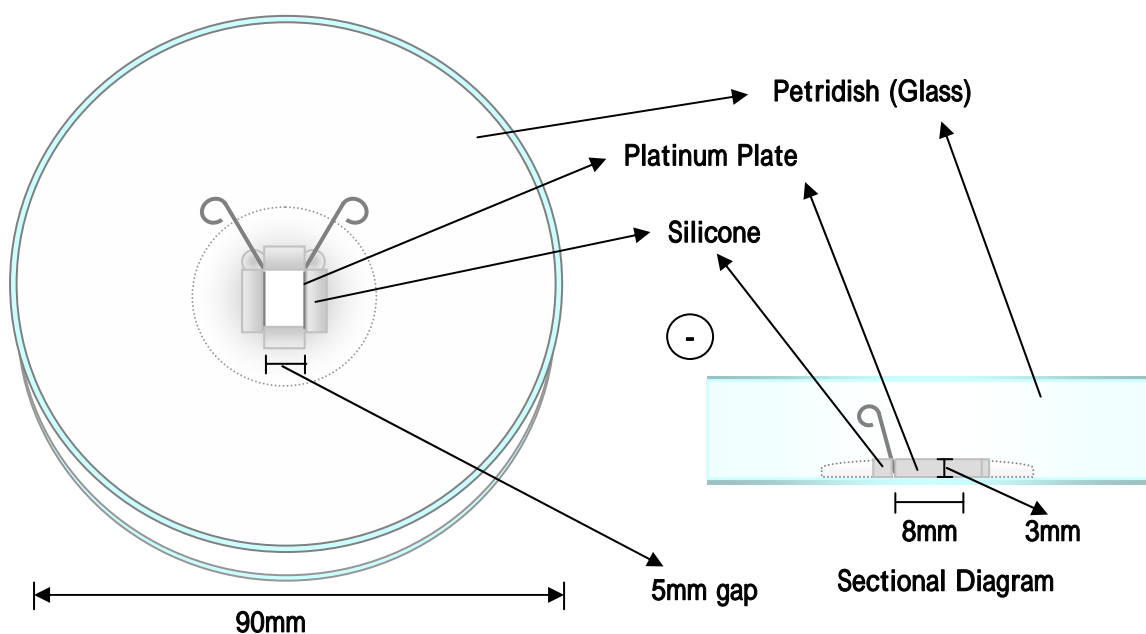
Autoclavable

For Mouse (Mammalian) Early Embryo (CUY520P5, P15)

For In vivo EP for whole mouse embryo culture (CUY520P15)

For Zebrafish & Medaka Egg (CUY520P15)

CUY520P5 (Former CUY522)



CUY520P15 (Former CUY523)

